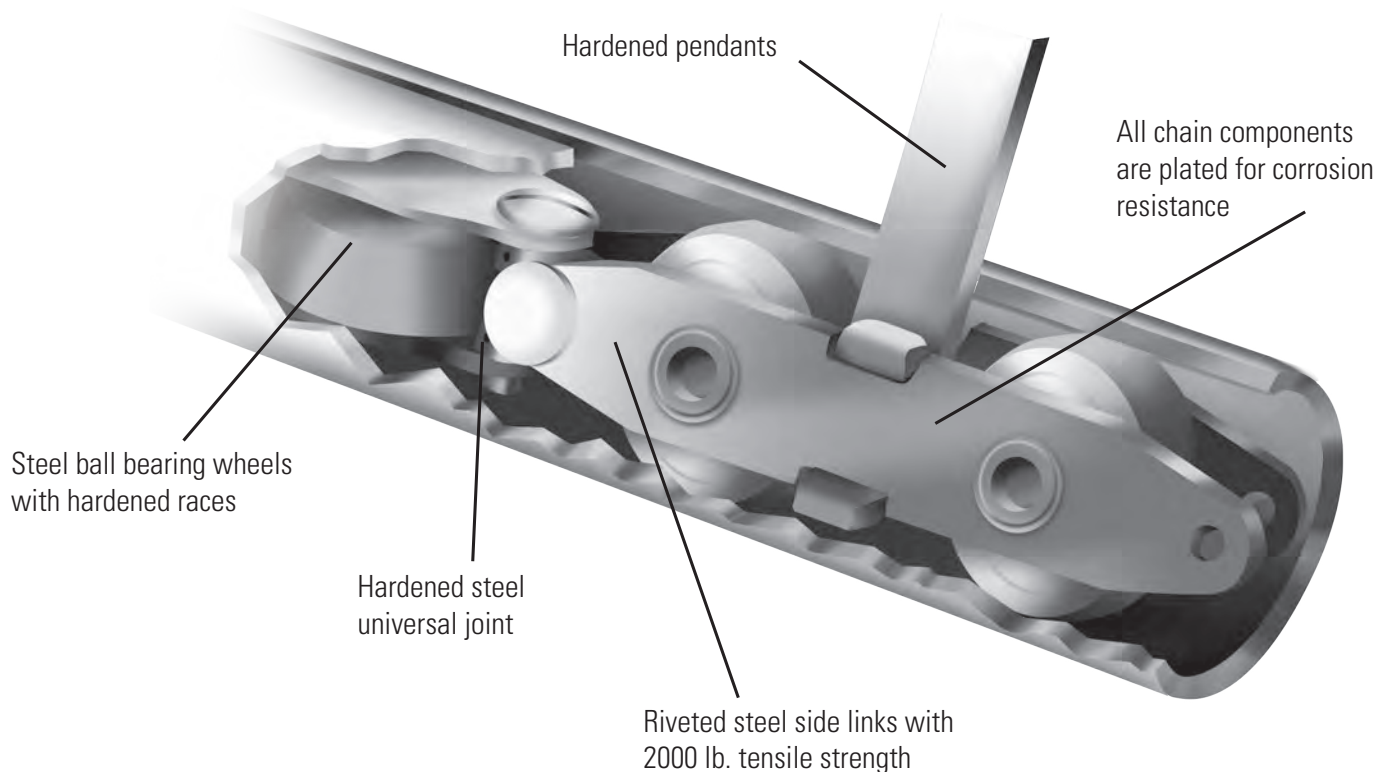




The World's Most Trusted Conveyor

Contin-U-Veyor

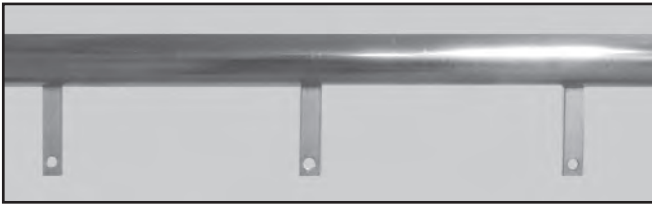
Transport Conveyor System



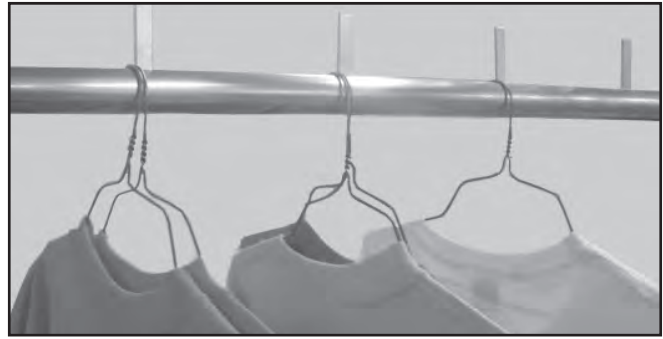
FEATURES and BENEFITS

- ✓ Contin-U-Veyor has been the #1 worldwide choice for industrial laundry and dry cleaning applications for over 5 decades.
- ✓ The Contin-U-Veyor uses the highest quality conveyor chain on the market today.
- ✓ High tensile strength allows for greater work loads and long distance applications.
- ✓ Every Contin-U-Veyor is engineered for long life, safety, and ease of maintenance.
- ✓ The Contin-U-Veyor bearings are pre-lubricated.
- ✓ Can be designed for Pendant-Up or Pendant-Down.
- ✓ Utilizes standard stock parts configured to fit your space and meet your needs.
- ✓ Sprocket type drive located in 90° or 180° bends provided in fixed speed of your choice, manual variable speed, or optional remote variable speed.
- ✓ Sprocket take-up either screw type or automatic air operated installed in a 180° bend or combined in drive assembly.
- ✓ All stainless steel 13 gauge track.
- ✓ Standard and custom designs available.

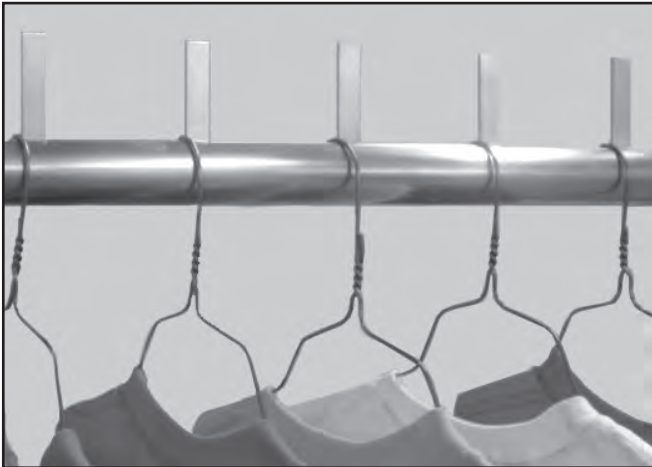
Contin-U-Veyor can be configured to your needs:



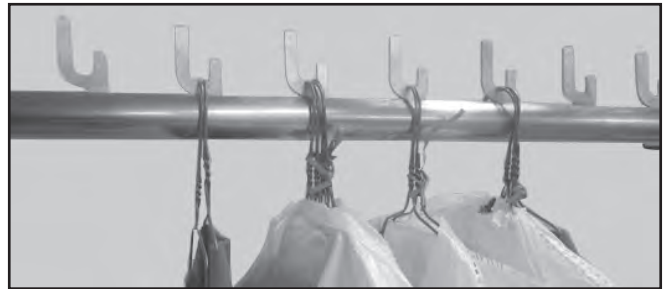
PENDANT DOWN CHAIN - when designed with special attachments, this configuration will carry a variety of items. The low profile design and tight radius bends allow efficient routing of conveyor paths.



PENDANT UP CHAIN - this 6-1/4" spaced pendant chain is used primarily for hangered goods. The small diameter tube allows hangers to be hung directly on the track and pushed by the pendant. Loading and plowoff anywhere along the conveyor system.



PENDANT UP CHAIN - this 3-1/8" pendant spaced chain is primarily used for garment finishers and single garment transport.



"STEP" PENDANT CHAIN - designed to transport bundled or single hangered goods with minimal sliding friction and/or hanger wear. By keeping single or bundled goods off the track and carried on the pendant arm, longer conveyor designs are possible.

CONTIN-U-VEYOR COMPONENT SPECIFICATIONS

SLOTTED TRACK

Durable, long lasting and easy to install
▶ 1-5/16" O.D., 13 Gauge, stainless steel

BENDS

- ▶ Standard bends 15°, 30°, 45°, 60°, 90°, & 180°
- ▶ Custom bends available for any design requirement

STEEL CHAIN

- Ball bearing wheels mounted vertically and horizontally ensuring low rolling resistance
- ▶ 300 lb. chain pull

HARDENED PENDANTS

- Minimizes wear and suitable for any application
- ▶ 3" pendant at 3-1/8" and 6-1/4" spacing
 - ▶ 3" step pendant at 3-1/8" and 6-1/4" spacings

DRIVE AND TAKE-UPS

- Allowing equipment to function longer without continual maintenance.
- ▶ 90° and 180° drives
 - ▶ Automatic air operated or manual screw take-up available.

PLOW-OFF STATIONS

- Components to customize your material routing needs.
- ▶ Air operated or fixed

OPTIONS:

CONTROL CONSOLES

- Components used for ease of operation
- ▶ Remote control consoles available

VARIABLE SPEED CONTROLS

- Used to fine tune production speed
- ▶ Remote variable speed control available



White Conveyors, Inc.

10 Boright Avenue, Kenilworth, NJ 07033
+1 (908) 686-5700 • +1 (800) 524-0273

www.white-conveyors.com